




Aeterna 1000

Aeterna 3000

BALL VALVES
VALVOLE A SFERA
KUGELHÄHNE

- fire 
- gas  ✓
- liquid  ✓



Aeterna 1000, Aeterna 3000

AETERNA 1000 from 1/8" to 3/4"

Mini brass ball valves with screwdriver control or with handle.
Compatible with gases according to DIN EN 437.

Technical specifications:

- Nominal pressure: PN10
- Temperature limit: -20°C/+100°C
- Threads according to standard ISO 228/1
- Threads according to standard ANSI/ASME, NPT Male, NPSC Female
- Screwed male and female or compression connections

AETERNA 3000 from 1/8" to 3/4"

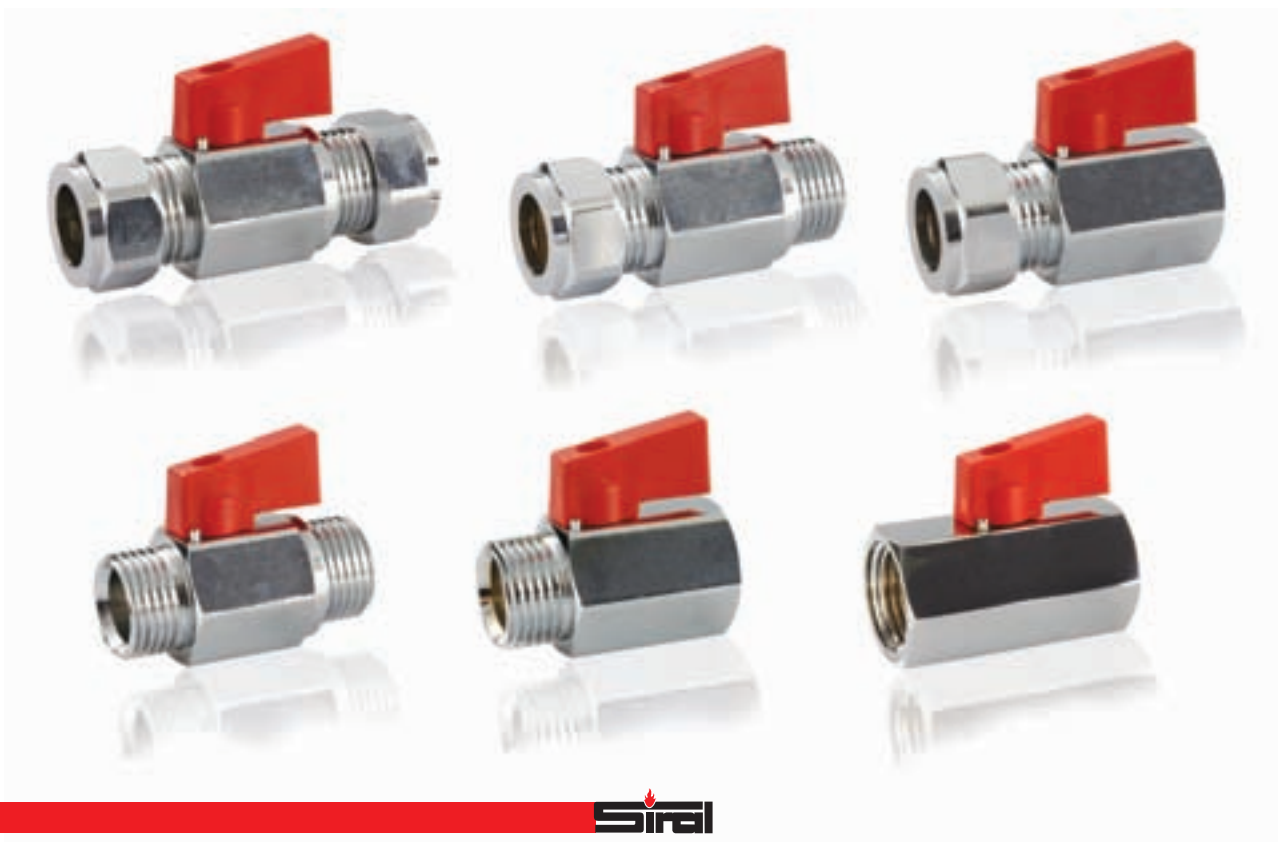
Mini brass ball valves with screwdriver control or with handle.
They can be used with water, steam, air, vacuum, oils, non corrosive fluids in general.

Technical specifications:

- Nominal pressure: PN16
- Temperature limit: -20°C/+100°C
- Threads according to standard ISO 228/1
- Threads according to standard ANSI/ASME NPT Male, NPSC Female
- Screwed male and female or compression connections

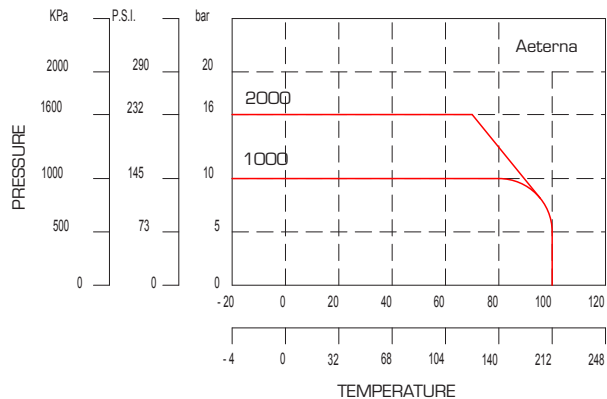
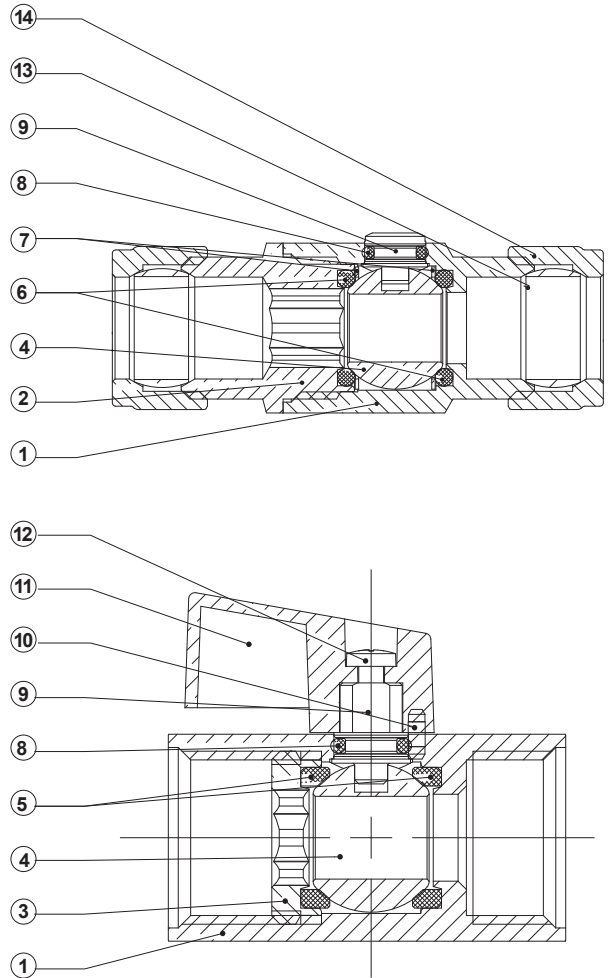
Special designs also available according to customer request.

The indication of the fluids is general. Siral S.p.A. is at disposal to evaluate requests for specific fluids.

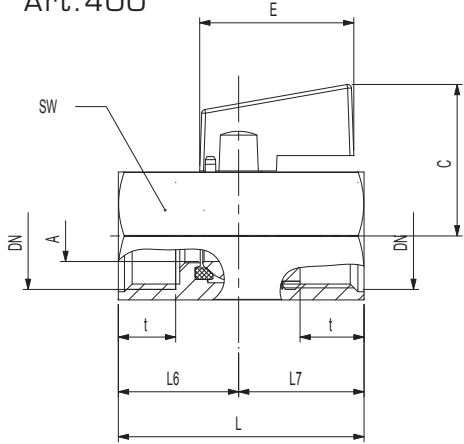


TECHNICAL DETAILS

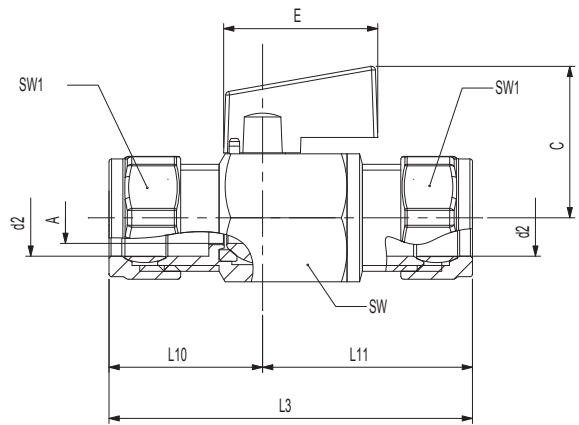
- ① Body in brass CW614N
Corpo in ottone CW614N
Körper aus Messing CW614N
- ② Fitting in brass CW614N
Raccordo in ottone CW614N
Einschraubstück aus Messing CW614N
- ③ Ring nut in brass CW614N
Ghiera in ottone CW614N
Überwurfmutter aus Messing CW614N
- ④ Ball in chrome plated brass CW614N
Sfera in ottone CW614N cromata
Kugel aus Messing CW614N verchromt
- ⑤ Ball seat PTFE (Aeterna 3000)
Guarnizione sfera in PTFE (Aeterna 3000)
Kugeldichtung aus PTFE (Aeterna 3000)
- ⑥ O-Rings in NBR (Aeterna 1000)
O-Rings in NBR (Aeterna 1000)
O-Ringe aus NBR (Aeterna 1000)
- ⑦ Washer in brass CW 508 L (Aeterna 1000)
Rondella in ottone CW 508 L (Aeterna 1000)
Ring aus Messing CW 508 L (Aeterna 1000)
- ⑧ O-Rings in NBR
O-Rings in NBR
O-Ringe aus NBR
- ⑨ Stem in brass CW614N
Albero in ottone CW614N
Spindel aus Messing CW614N
- ⑩ Pin in Stainless Steel AISI 304
Spina in acciaio inox AISI 304
Stift aus Edelstahl AISI 304
- ⑪ Handle in acetalic POM
Maniglia in acetalica POM
Griff in Polyacetal POM
- ⑫ Screw in steel 4S
Vite in acciaio 4S
Schraube aus Stahl 4S
- ⑬ Olive in brass CW 508 L
Bicono in ottone CW 508 L
Klemmring aus Messing CW 508 L
- ⑭ Compression nut in brass CW614N
Dado in ottone CW614N
Mutter aus Messing CW614N



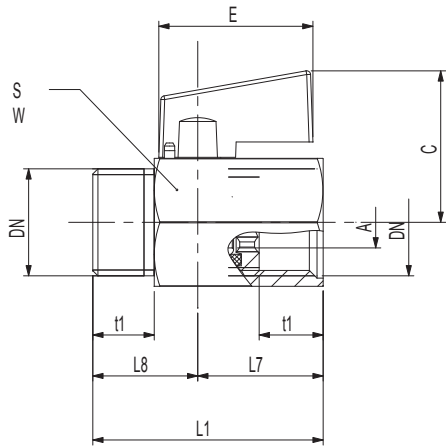
Art.400



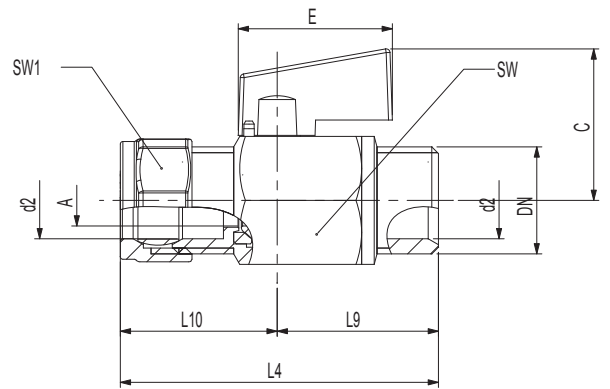
Art.415



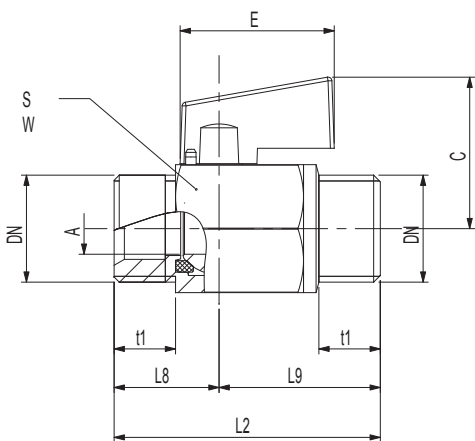
Art.405



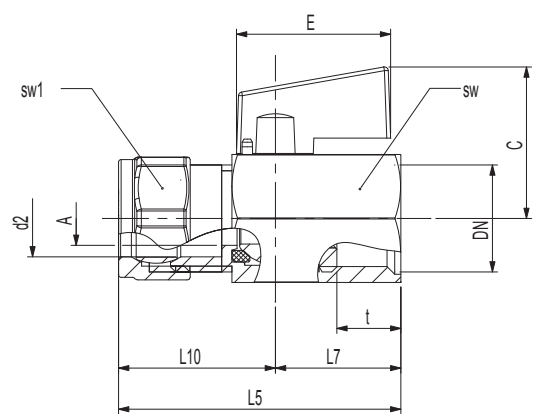
Art.420



Art.410

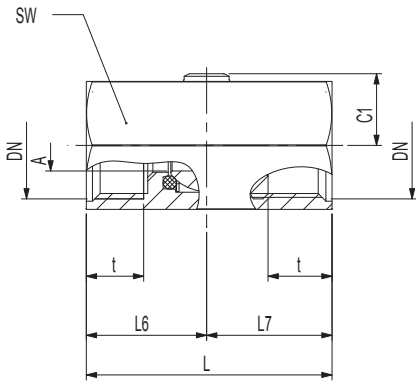


Art.425

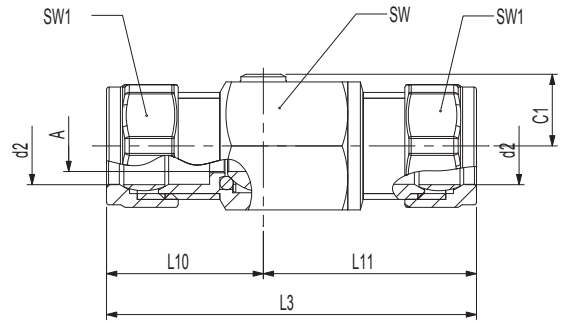


DN	A	t	t1	d2	L	L1	L2	L3	L4	L5	E	C	C1	SW	SW1	L6	L7	L8	L9	L10	L11
1/8"	7,5	8	7	6	39	39	44,5	56,5	50,5	45	30	27,5	13	21	12	18	21	18	26,5	24	32,5
1/4"	7,5	8	8	8	39	39	43	58	50,5	46,5	30	27,5	13	21	15	18	21	18	25	25,5	32,5
3/8"	7,5	10,5	9,5	10	42	39	43	59	51	47	30	27,5	13	21	20	21	21	18	25	26	33
1/2"	10	12,5	12	15	48	45	52	71	61,5	54,5	30	29,5	16	25	24	23,5	24,5	20,5	31,5	30	41
3/4"	13,5	14	13	18	57	53	59	79	69	63	30	32,5	19	31	30	28	29	24	35	34	45

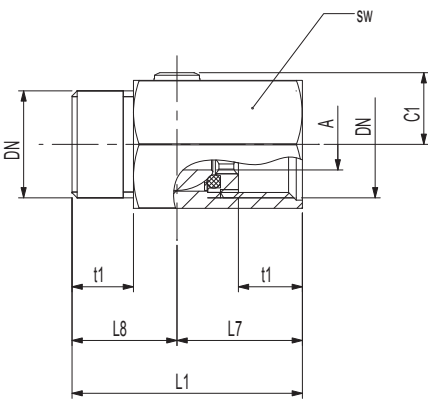
Art.430



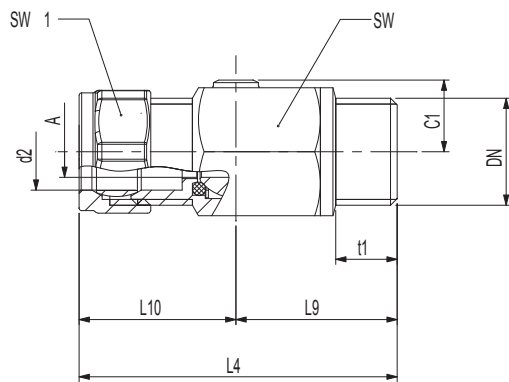
Art.445



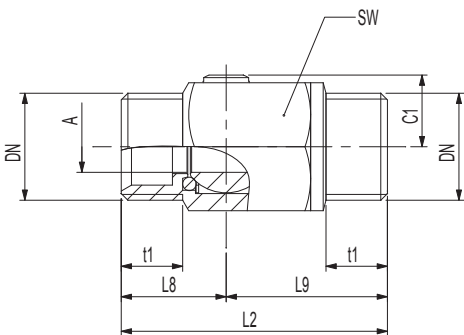
Art.435



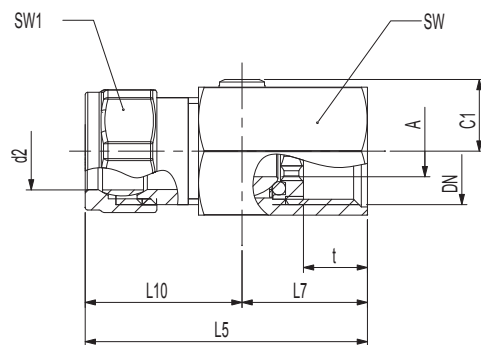
Art.450



Art.440



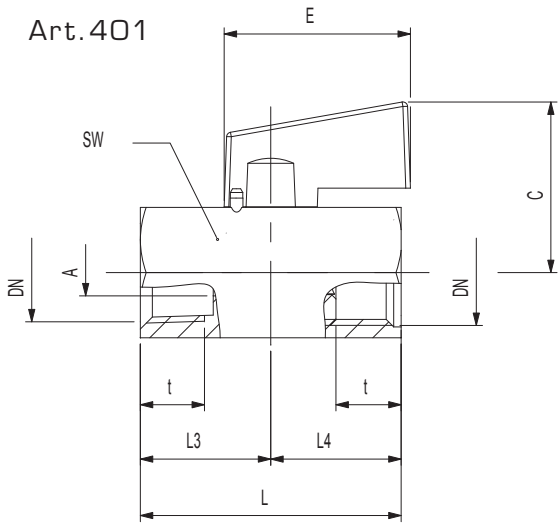
Art.455



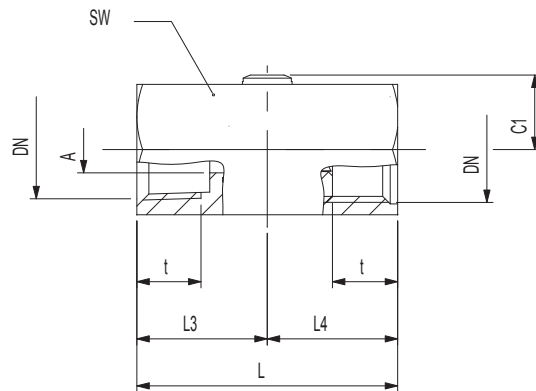
ANSI/ASME

Aeterna 1000, Aeterna 3000

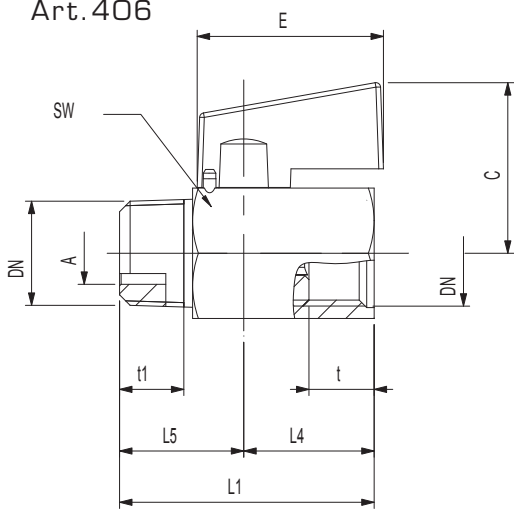
Art. 401



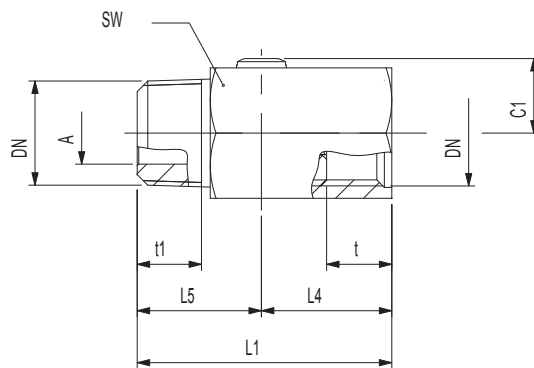
Art. 431



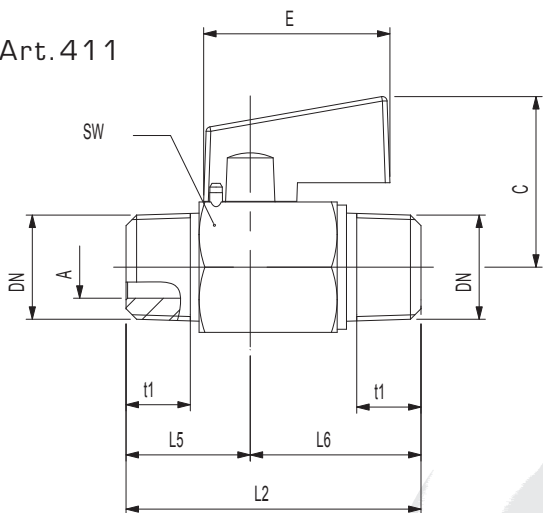
Art. 406



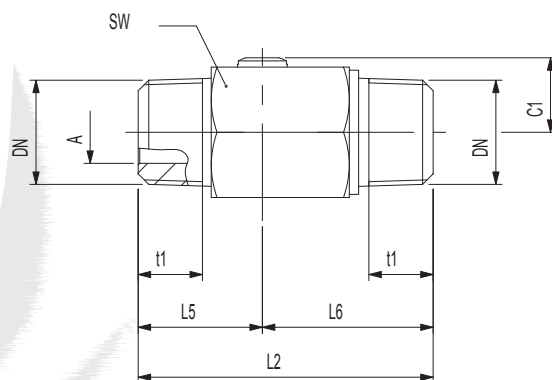
Art. 436



Art. 411



Art. 441



DN	A	t	t1	L	L1	L2	L3	L4	L5	L6	E	C	C1	SW
1/8"-27 NPT	7,5	6,92	6,7	38	39	45	17	21	18	27	30	27,5	13	21
1/4"-18 NPT	7,5	10,02	10,2	41,5	42	49,5	20,5	21	21	28,5	30	27,5	13	21
3/8"-18 NPT	7,5	10,33	10,35	43,5	42,5	47,5	21	22,5	20	27,5	30	27,5	13	21
1/2"-14 NPT	10	13,57	13,55	52	50	59,25	26,25	25,75	24,25	35	30	29,5	16	25
3/4"-14 NPT	13,5	14,06	13,86	60,5	59	65,5	29,25	31,25	27,75	37,75	30	32,5	19	31



AETERNA 1000 da 1/8" a 3/4"

Mini valvole a sfera in ottone con comando a cacciavite o maniglia
Valvole adatte per tutti i tipi di gas secondo norma DIN EN 437.

Dati tecnici:

- Pressione nominale: PN10
- Limiti di temperatura: -20°C/+100°C
- Filettatura secondo norma ISO 228/1
- Filettatura secondo norme ANSI/ASME, NPT Maschio, NPSC Femmina
- Connessione diretta con tubo sistema dado/bicono

AETERNA 3000 da 1/8" a 3/4"

Mini valvole a sfera in ottone con comando a cacciavite o maniglia.
Valvole adatte per acqua, vapore, aria, vuoto, olii, fluidi non corrosivi in genere.

Dati tecnici:

- Pressione nominale: PN16
- Limiti di temperatura: -20°C/+100°C
- Filettatura secondo norma ISO 228/1
- Filettatura secondo norme ANSI/ASME NPT Maschio, NPSC Femmina
- Connessione diretta con tubo sistema dado/bicono

Esecuzioni speciali a richiesta.
L'indicazione dei fluidi delle temperature e delle pressioni è di carattere generale. Siral S.p.A. è disponibile a valutare le richieste per fluidi specifici.



AETERNA 1000 von 1/8" bis 3/4"

Mini-Kugelhähne aus Messing mit Griff- oder Schraubenzieherbetätigung.
Kugelhähne geeignet für alle Gasarten nach DIN EN 437.

Technische Daten:

- Nenndruck: PN10
- Temperaturbereich: -20°C/+100°C
- Gewinde nach ISO 228/1
- Gewinde: ANSI/ASME, NPT-Aussengewinde, NPSC-Innengewinde
- Anschlüsse für Klemmverschraubung

AETERNA 3000 von 1/8" bis 3/4"

Mini-Kugelhähne aus Messing mit Griff- oder Schraubenzieherbetätigung.
Kugelhähne fuer Wasser, Dampf, Luft, Öle und nichtätzende Medien im Allgemeinen.

Technische Daten:

- Nenndruck: PN16
- Temperaturbereich: -20°C/+100°C
- Gewinde nach ISO 228/1
- Gewinde: ANSI/ASME, NPT-Aussengewinde, NPSC-Innengewinde
- Anschlüsse für Klemmverschraubungen

Sonderausführungen auf Anfrage.
Die Auflistung der Medien hat allgemeinen Charakter. Siral S.p.A. steht für Bewertung von Anfragen für spezielle Medien zur Verfügung.





Via F. Lana 21/29 - 25065 LUMEZZANE S.S. (Brescia)
Tel. +39 030 8251211 - Fax: +39 030 8251247 - C.P. 125
info@siral.com - www.siral.com



001
QUALITY SYSTEM CERTIFIED
N.L.R.C. 160014

