

3VL, 3VT, 3VNL, 3VNT
from 1/4" to 2 1/2"

THREE WAY BALL VALVES
VALVOLE A SFERA TRE VIE
KUGELHÄHNE IN DREIWEGEFORM

fire 

gas 

liquid  ✓




Siral[®]
06

3VL, 3VT, 3VNL, 3VNT from 1/4" to 2 1/2"

3VL from 1/4" to 2 1/2"

Brass ball valves, full flow, three ways "L" two piece body.

These valves are for water, steam, air, oils, non corrosive fluids in general.

3VT from 1/4" to 2 1/2"

Brass ball valves, full flow, three ways "T" two piece body.

These valves are for water, steam, air, oils, non corrosive fluids in general.

3VNL from 1/4" to 2"

Brass ball valves, full flow, three ways "L" four piece body.

These valves are for water, steam, air, oils, non corrosive fluids in general.

3VNT from 1/4" to 2"

Brass ball valves, full flow, three ways "T" four piece body.

These valves are for water, steam, air, oils, non corrosive fluids in general.

Technical specifications:

- Nominal pressure: from PN16
- Temperature limit: -20°C/+150°C
- Threads according to standard ISO 7/1

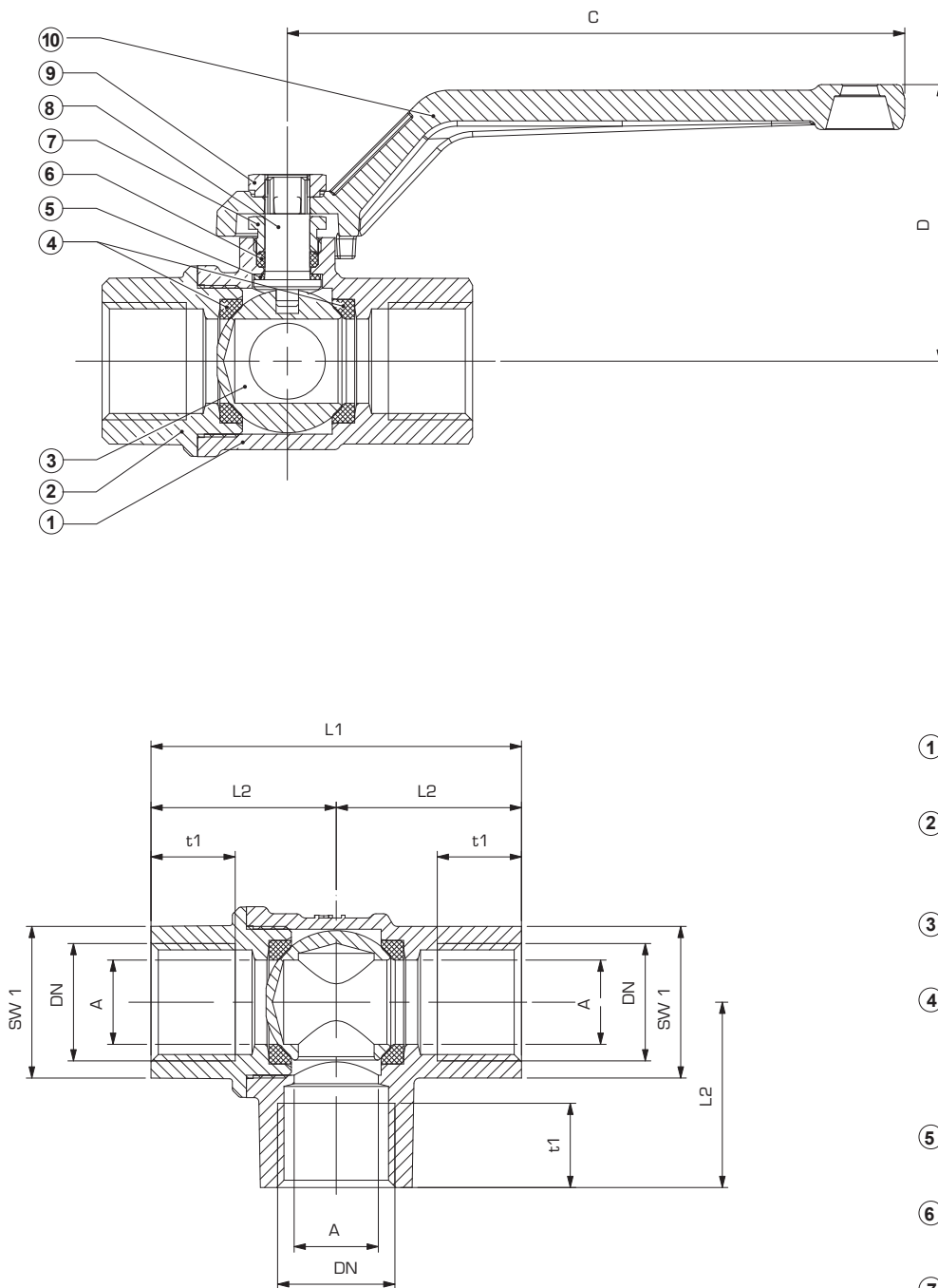
Special designs also available according to customer request.

The indication of the fluids is general. Siral S.p.A. is at disposal to evaluate requests for specific fluids.



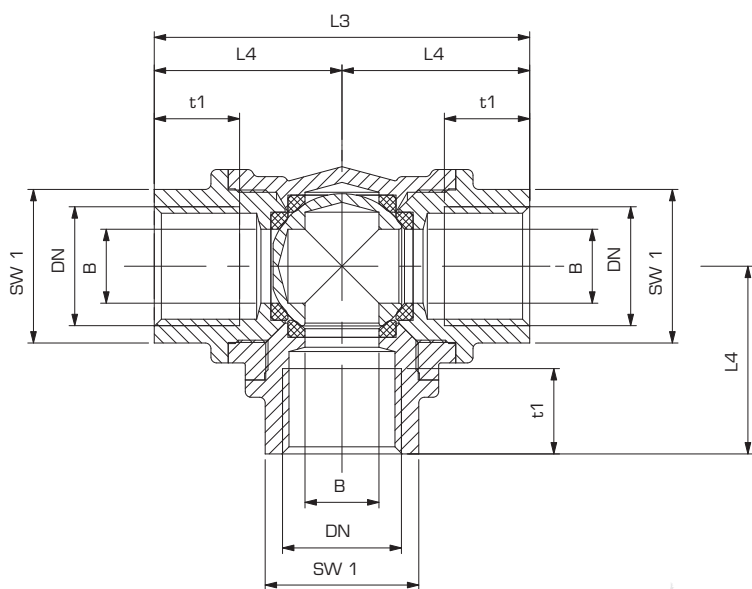
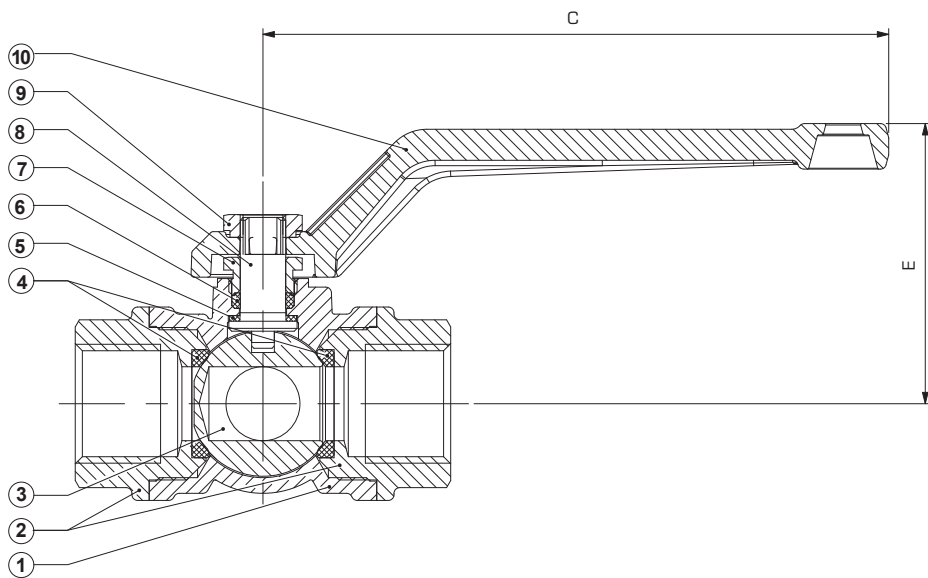
TECHNICAL DETAILS

3V

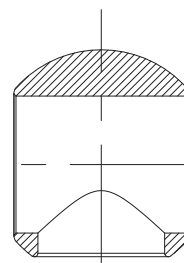


- ① Body in stamped brass CW617N
Corpo in ottone CW617N stampato
Körper aus Pressmessing CW617N
- ② Fitting in stamped brass CW617N
Raccordo in ottone CW617N stampato
Einschraubstück aus Pressmessing CW617N
- ③ Ball in chrome plated brass CW614N
Sfera in ottone CW614N cromata
Kugel aus Messing CW614N verchromt
- ④ Ball seat in PTFE N° 2 pieces for 3V,
in TFM N° 4 pieces for 3VN
Guarnizione sfera in PTFE N° per 3V,
in TFM N° 4 per 3VN
Kugeldichtung aus PTFE 2 St. für 3V,
aus TFM 4 St. für 3VN
- ⑤ Flat seal in PTFE
Guarnizione piatta in PTFE
Flachdichtung aus PTFE
- ⑥ Stem seal in PTFE
Guarnizione albero in PTFE
Spindeldichtung aus PTFE
- ⑦ Bush in brass CW614N
Bussola in ottone CW614N
Tüfelle aus Messing CW614N
- ⑧ Stem in brass CW614N
Albero in ottone CW614N
Spindel aus Messing CW614N
- ⑨ Nut in brass CW614N
Dado in ottone CW614N
Mutter aus Messing CW614N
- ⑩ Handle
Maniglia
Griff

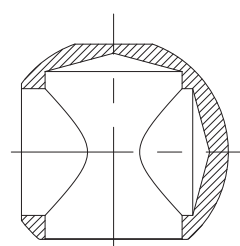
3 VN



SFERA "T"



SFERA "L"



DN	A	B1	C	D	E	L1	L2	L3	L4	t1	SW1
Rp 1/4"ISO 7/1	10	0	110	46	47	46	23	52	26	10	19
Rp 3/8"ISO 7/1	10	10	110	46	47	52	26	52	26	11,4	22
Rp 1/2"ISO 7/1	15	13	102	49	50	66	33	66	33	15	27
Rp 3/4"ISO 7/1	20	17	129	62	62,5	76	38	76	38	16,3	32
Rp 1"ISO 7/1	25	,5	129	67	67	90	45	93	46,5	19,1	41
Rp 1-1/4"ISO 7/1	32	22	159	82	82,5	110	55	108	54	21,4	50
Rp 1-1/2"ISO 7/1	40	28	159	89	89	120	60	126	63	21,4	55
Rp 2"ISO 7/1	50	35	188	110	110	140	70	146	73	25,7	70
Rp 2-1/2"ISO 7/1	63	44	188	120	/	164	82	/	/	30,1	90



3VL da 1/4" a 2 1/2"

Valvole a sfera in ottone a passaggio totale tre vie a "L" con tenuta su due lati. Valvole adatte per acqua, vapore, aria, olii, fluidi non corrosivi in genere.

3VT da 1/4" a 2 1/2"

Valvole a sfera in ottone a passaggio totale tre vie a "T" con tenuta su due lati. Valvole adatte per acqua, vapore, aria, olii, fluidi non corrosivi in genere.

3VNL da 1/4" a 2"

Valvole a sfera in ottone a passaggio totale tre vie a "L" con tenuta su quattro lati. Valvole adatte per acqua, vapore, aria, olii, fluidi non corrosivi in genere.

3VNT da 1/4" a 2"

Valvole a sfera in ottone a passaggio totale tre vie a "T" con tenuta su quattro lati. Valvole adatte per acqua, vapore, aria, olii, fluidi non corrosivi in genere.

Dati tecnici:

- Pressione nominale: PN16
- Limiti di temperatura: -20°C/+150°C
- Filettature secondo norma ISO 7/1

Esecuzioni speciali a richiesta.

L'indicazione dei fluidi è di carattere generale. Siral S.p.A. è disponibile a valutare le richieste per fluidi specifici.



3VL von 1/4" bis 2 1/2"

Kugelhähne in Dreivegeform aus Messing, mit vollem Durchgang, mit L-Bohrung, doppelseitig dichtend, fuer Wasser, Dampf, Luft, Öle und nichtätzende Medien im Allgemeinen.

3VT von 1/4" bis 2 1/2"

Kugelhähne in Dreivegeform aus Messing, mit vollem Durchgang, mit T-Bohrung, doppelseitig dichtend, für Wasser, Dampf, Luft, Öle und nichtätzende Medien im Allgemeinen.

3VNL von 1/4" bis 2"

Kugelhähne in Dreivegeform aus Messing, mit vollem Durchgang, mit L-Bohrung, allseitig dichtend, für Wasser, Dampf, Luft, Öle und nichtätzende Medien im allgemeinen.

3VNT von 1/4" bis 2"

Kugelhähne in Dreivegeform aus Messing, mit vollem Durchgang, mit T-Bohrung, allseitig dichtend, für Wasser, Dampf, Luft, Öle und nichtätzende Medien im allgemeinen.

Technische Daten:

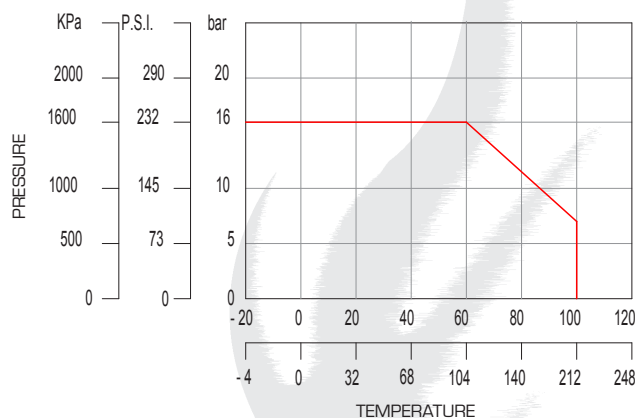
- Nenndruck: PN16
- Temperaturbereich: -20°C/+150°C
- Gewinde nach ISO 7/1

Sonderausführungen auf Anfrage.

Die Auflistung der Medien hat allgemeinen Charakter. Siral S.p.A. steht für Bewertung von Anfragen für spezielle Medien zur Verfügung.

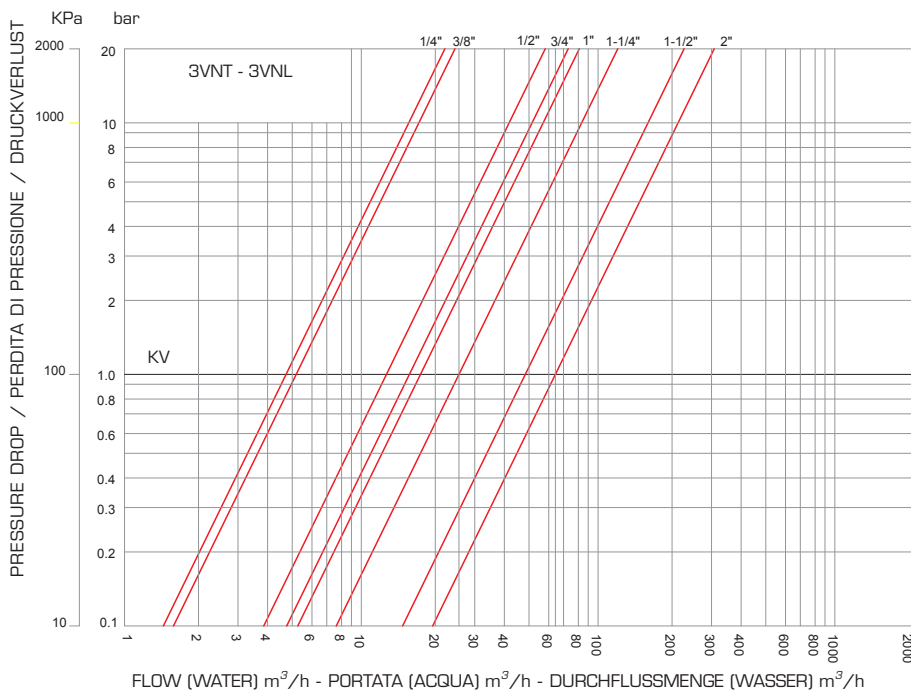
DIAGRAMS

3VL
3VT
3VNL
3VNT



DIAGRAMS

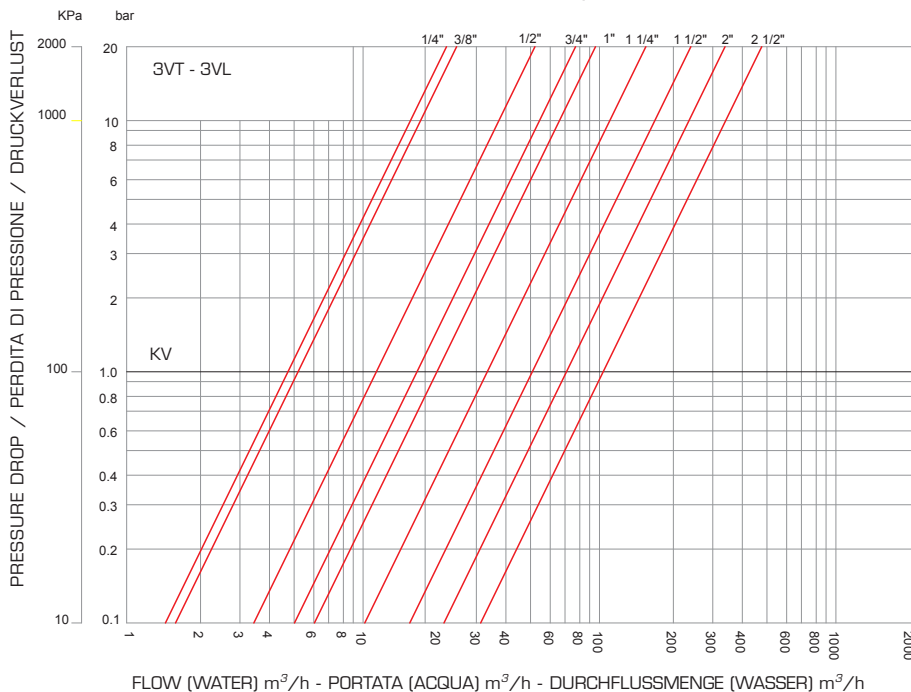
FLOW RATE PRESSURE DIAGRAM
DIAGRAMMA DI PORTATA DI PRESSIONE / BETRIEBSDRUCK-DIAGRAMM



DROP CURVES
CURVA DI PERDITA
DRUCKVERLUST-DIAGRAMM

DN	KV	CV	PASSAGE
1/4"	4.75	5.6	10
3/8"	5.2	6.1	10
1/2"	9	10.6	13
3/4"	13.2	15.6	17.5
1"	17.5	20.6	22
1.1/4"	25	29.5	28
1.1/2"	41.4	48.8	35
2"	63	74.3	44

FLOW RATE PRESSURE DIAGRAM
DIAGRAMMA DI PORTATA DI PRESSIONE / BETRIEBSDRUCK-DIAGRAMM



DROP CURVES
CURVA DI PERDITA
DRUCKVERLUST-DIAGRAMM

DN	KV	CV	PASSAGE
1/4"	4.75	5.6	10
3/8"	5.2	6.1	10
1/2"	11.8	13.9	15
3/4"	17.3	20.4	20
1"	23	27	25
1 1/4"	33.7	39.7	32
1 1/2"	50.9	56.5	40
2"	71	83.7	50
2 1/2"	105	123.8	63

Kv=Capacity in m³/h at pressure drop of 1 Bar.

Cv=Capacity in United States gallons per minute at pressure drop of 1 PSI.

Kv=Portata in m³/h alla perdita di pressione di 1 Bar.

Cv=Portata in galloni americani al minuto alla perdita di pressione di 1 PSI.

Kv=Durchflussmenge in m³/h bei Druckverlust von 1 bar.

Cv=Durchflussmenge in US-Gallons pro Minute bei Druckverlust von 1 PSI.

Siral S.p.A. reserves the right to modify design without prior notice.
 Siral S.p.A. si riserva la facoltà di variare modelli e ingombri senza preavviso.
 Siral S.p.A. behält sich das Recht vor, Modelle und Abmessungen ohne Vorankündigung abzuändern.



Via F. Lana 21/29 - 25065 LUMEZZANE S.S. (Brescia)
 Tel. +39 030 8251211 - Fax: +39 030 8251247 - C.P. 125
 info@siral.com - www.siral.com

